

# DUO DUO FORM

## Duo Corner Lavy Sink Installation Instructions

- Part #: LCS11W
- Ambidextrous Design for a 90-degree corner
- Optional Sink Skirt



### The tools required for this installation:

- Duo Corner Lavy Sink Installation Kit (Included)
  - 4 Stainless Steel Wood Screws – 3/4" for sink installation (#8 Screws)
  - 4 Stainless Steel Wood Screws- 3/4" for sink skirt installation (#8 Screws)
  - DRILL BIT- 1/8"
- Not Included:
  - Drill: We recommend 1/8" Bit
  - Silicone Caulk
  - Razer knife (optional for Sink Skirt customization)

Note about screws: Please ensure screws are installed to a solid structure, such as a stud. If there have been refurbishments made and installing into drywall- longer screws may be necessary.



### SINK INSTALLATION PREPARATION

The DUO Corner Lavy Sink is ambidextrous

- The DUO Sink Skirt is optional
- The DUO Corner Lavy Sink drain is a standard 1-1/2" Lavy Drain
- Ensure ALL walls are plumb, straight, square, and that plumbing has been properly installed
- If existing wallboard is damaged, it must be replaced before installing the sink
- The faucet mounts on either side, above the sink: you can use the lavy faucet or combination shower/lavy faucet

#### Step 1: Plumb the sink

Begin by plumbing the sink. You will need a P-trap and it should be plumbed directly to the grey tank.

### Pro-Tip:

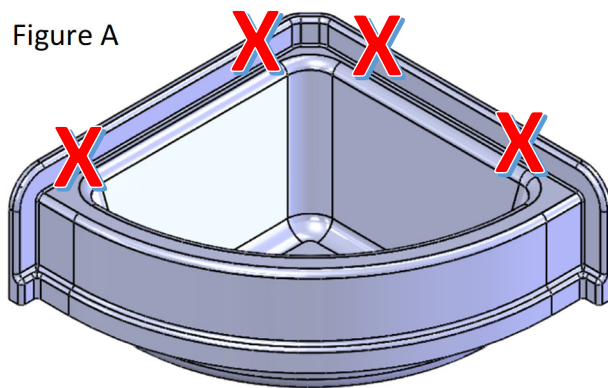
Plumb the sink first

### Step 2: Install the sink basin

Place the sink basin in its desired corner. Use the drill to place the 4 Stainless Steel Wood Screws. Make sure you are screwing into a firm support; a stud is desirable. Screwing directly into the wall-board only is not advised. *Be sure to use caution not to screw completely through a stud, wall, closet, wiring or plumbing.* See Figure A for screw diagram.

## Pro-Tip:

If the sink is being installed through a plastic, fiberglass, or metal wall/surround the pilot hole should only be drilled through the surround, and not into the wood.



### Step 3: Caulk the Sink

- If the sink is installed into a shower, the drill holes should be sealed with caulk.
- If the sink is installed anywhere else- all edges should be sealed with caulk.

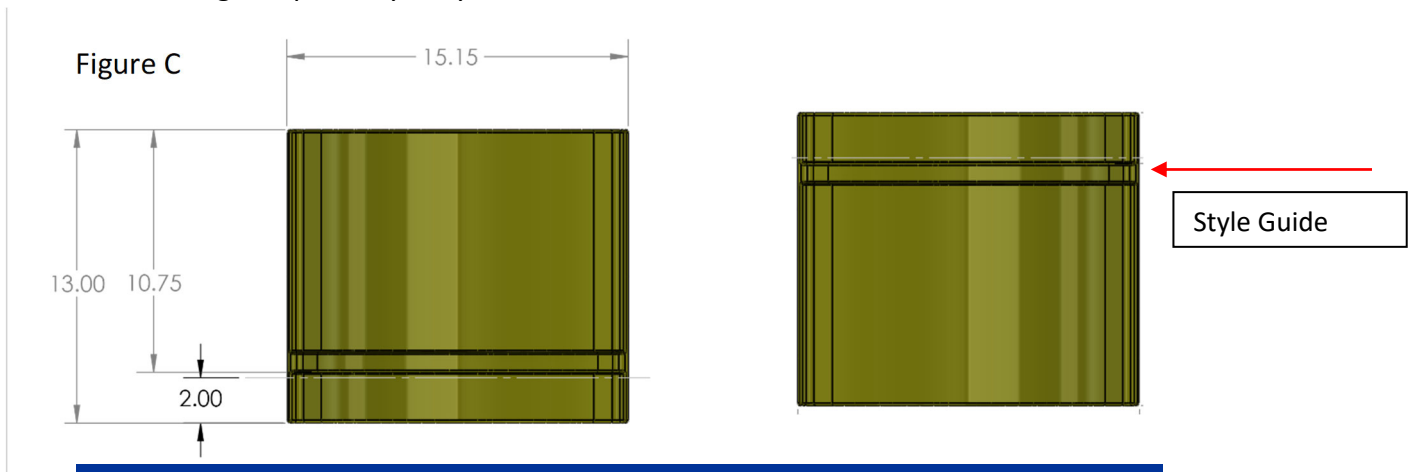
### Optional Step 4: Install the sink skirt

The sink skirt is optional, but really completes the look and hides your plumbing fixtures. It fits easily into the offset on the bottom of the sink, see Figure B.

Figure B



Note: The Sink Skirt can be used either side up, see Figure C. It includes a built-in Style Guide Line making it super easy for you to customize the look.

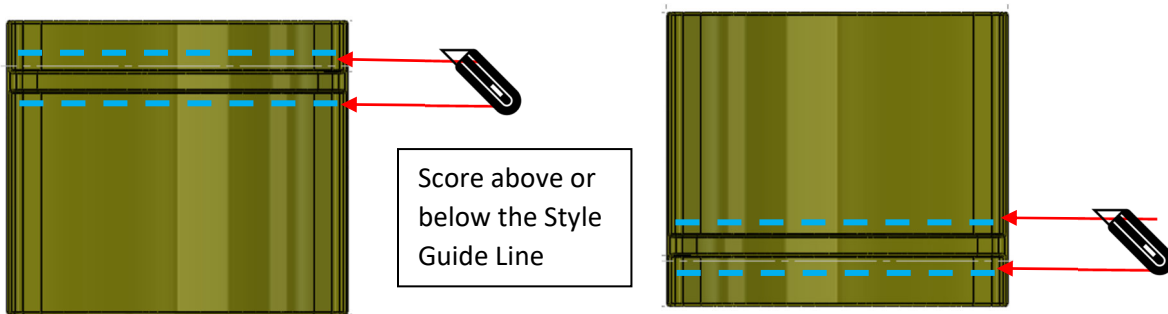


### Pro-Tip:

We recommend the Style Guide Line be configured towards the bottom. It gives a nice, clean look as well as some added stability to completed sink system.

The Skirt Sink can be trimmed just above or just below the Style Guide Line, Figure D.

Figure D



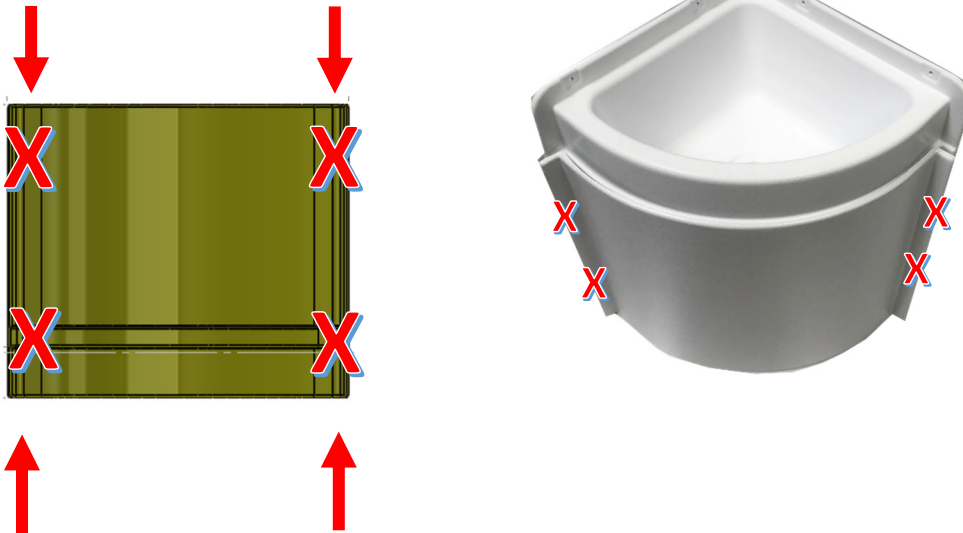
### Pro-Tip:

*Score & Snap Design:* To customize the length of the Sink Skirt- first score along the style guide where you wish to cut with a razor knife. Be careful not to cut, just score the plastic. Next “snap” the plastic and it should easily break off the unwanted material.

**Optional Step 4: Install the Sink Skirt: Pre-Drill Holes into plastic**

Once desired Skirt Sink length is complete, pre-drill the holes into the edges of the Sink Skirt, at the four corners of the piece, see Figure E. Holes should be drilled at least 1-1/2" from each outer edge. Screws mount on the small lip.

Figure E



For questions or installation problems, please contact DUO FORM Customer Service at 269-663-8525.

Electronic copies of all instruction sheets can be found at [www.duoformplastics.com](http://www.duoformplastics.com). These instructions supersede all prior instruction sheets. Failure to follow instructions may result in voided warranty. DUO Form Plastics reserves the right to make changes and to discontinue products without notice or obligation.

Duo Corner Lavy Sink Instructions: Initial Release 12.01.2020 Part #LAVY-KIT